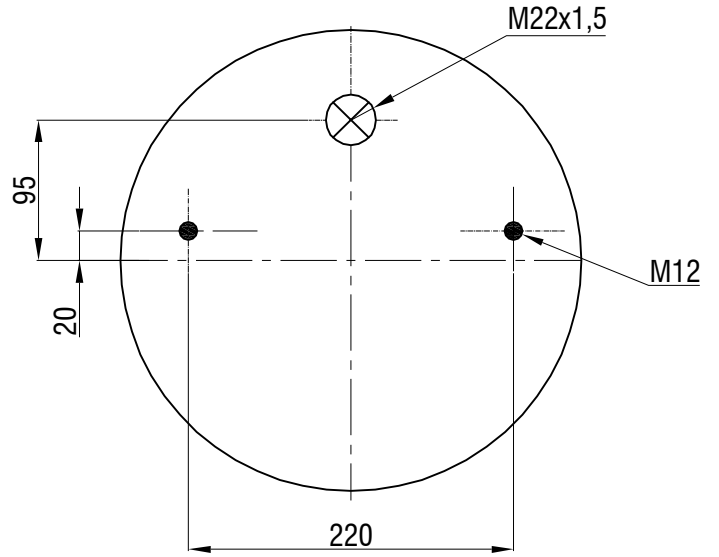


TOP VIEW



Drawings are prepared for catalogue study.

Changes						
	0	First drawing	18.04.2002			
Issue	Changes	Date	Drawn by	Checked by	Approved by	
PART WEIGHT: 5,47 Kg.	Do not scale this drawing	<input checked="" type="checkbox"/> Bolt/Stud	<input checked="" type="checkbox"/> Combo stud	<input checked="" type="checkbox"/> Air inlet	<input checked="" type="checkbox"/> Threaded hole	
<small>All rights of this document are the property of AKTAS A.S. It can not be used, copied, reproduced, made available to any third party in whole or part without written permission of AKTAS A.S.</small>				ORDER NO: 120001		
PART NAME: 3725 SERVICE ASSEMBLY			