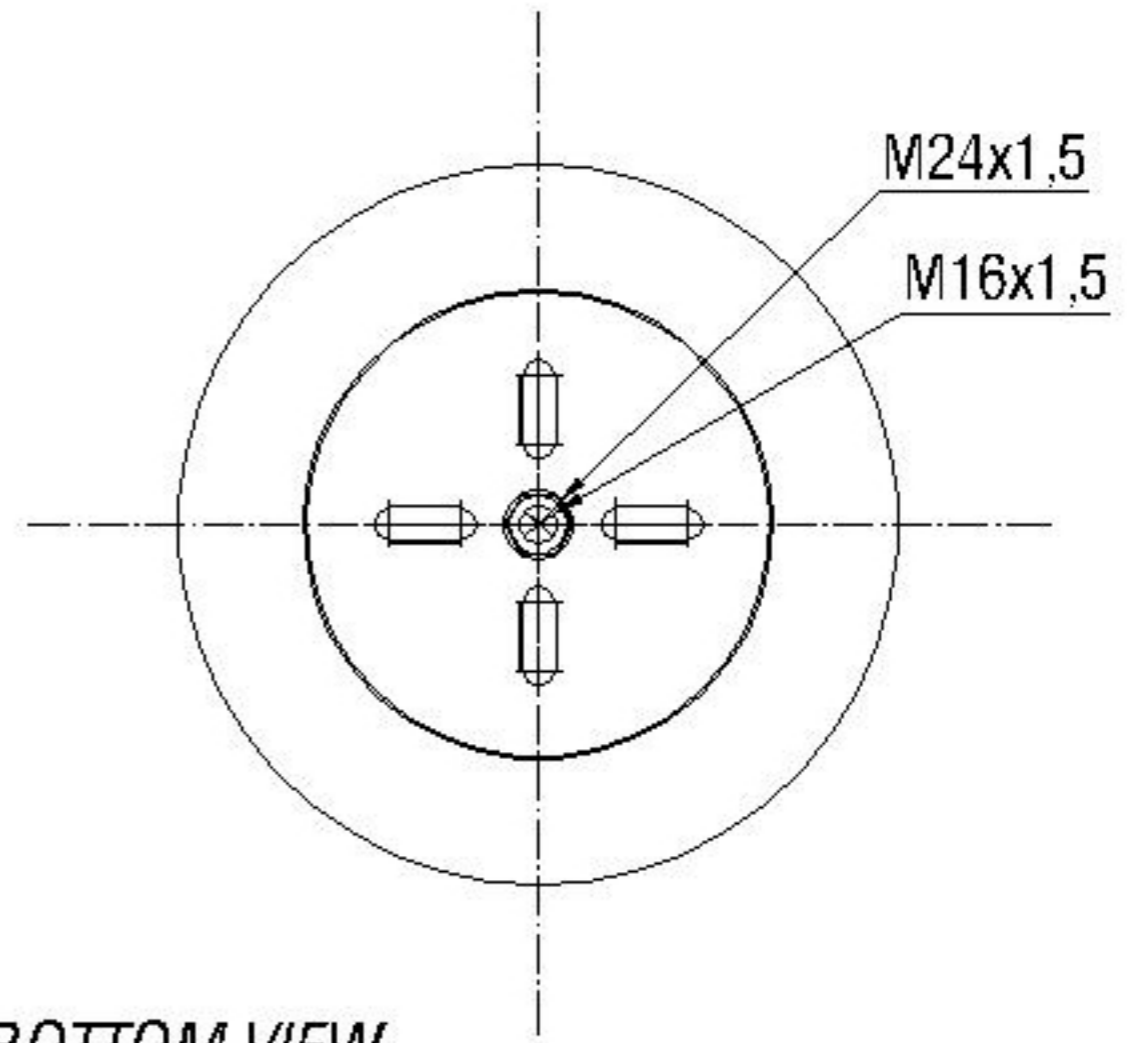
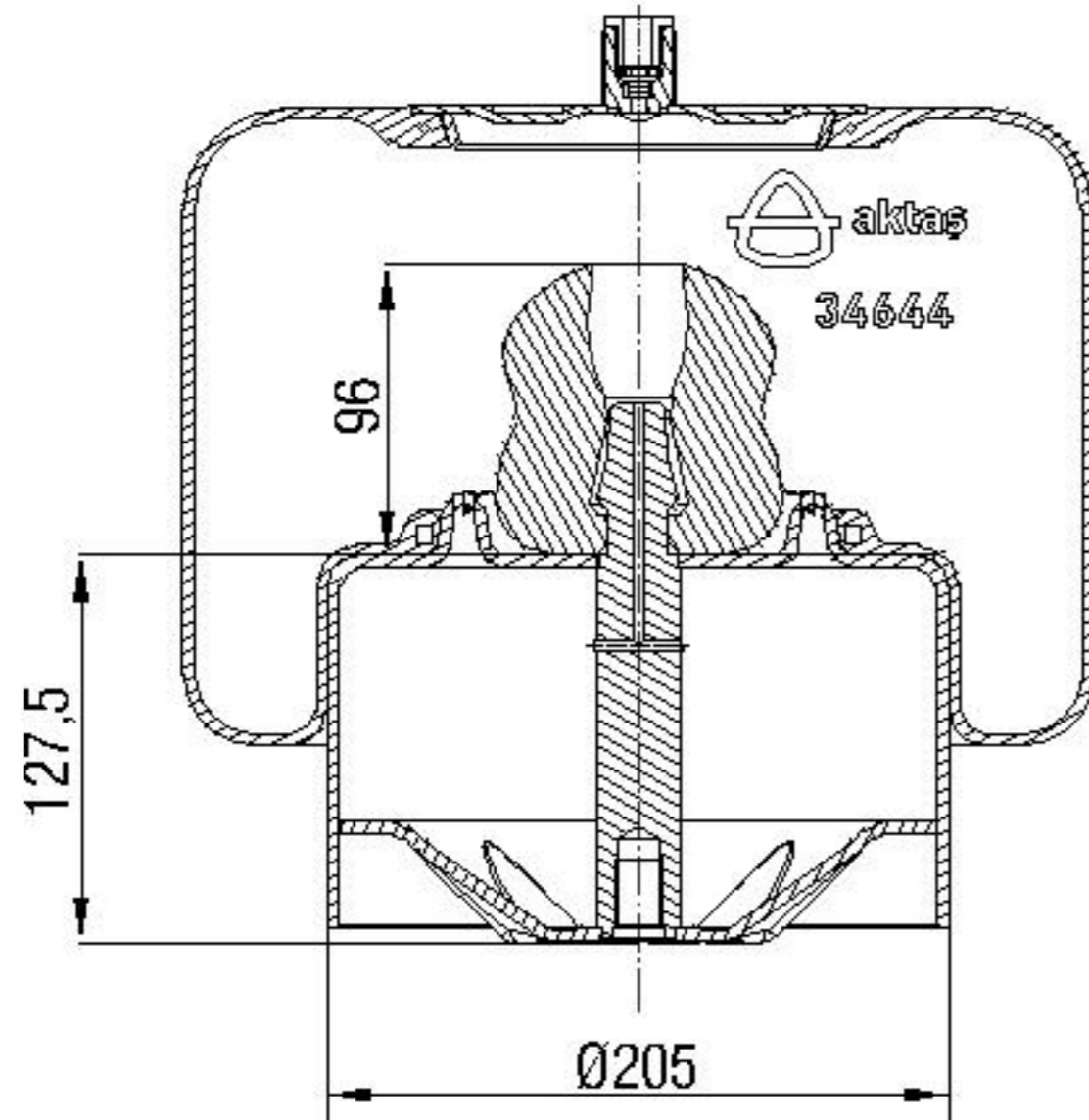
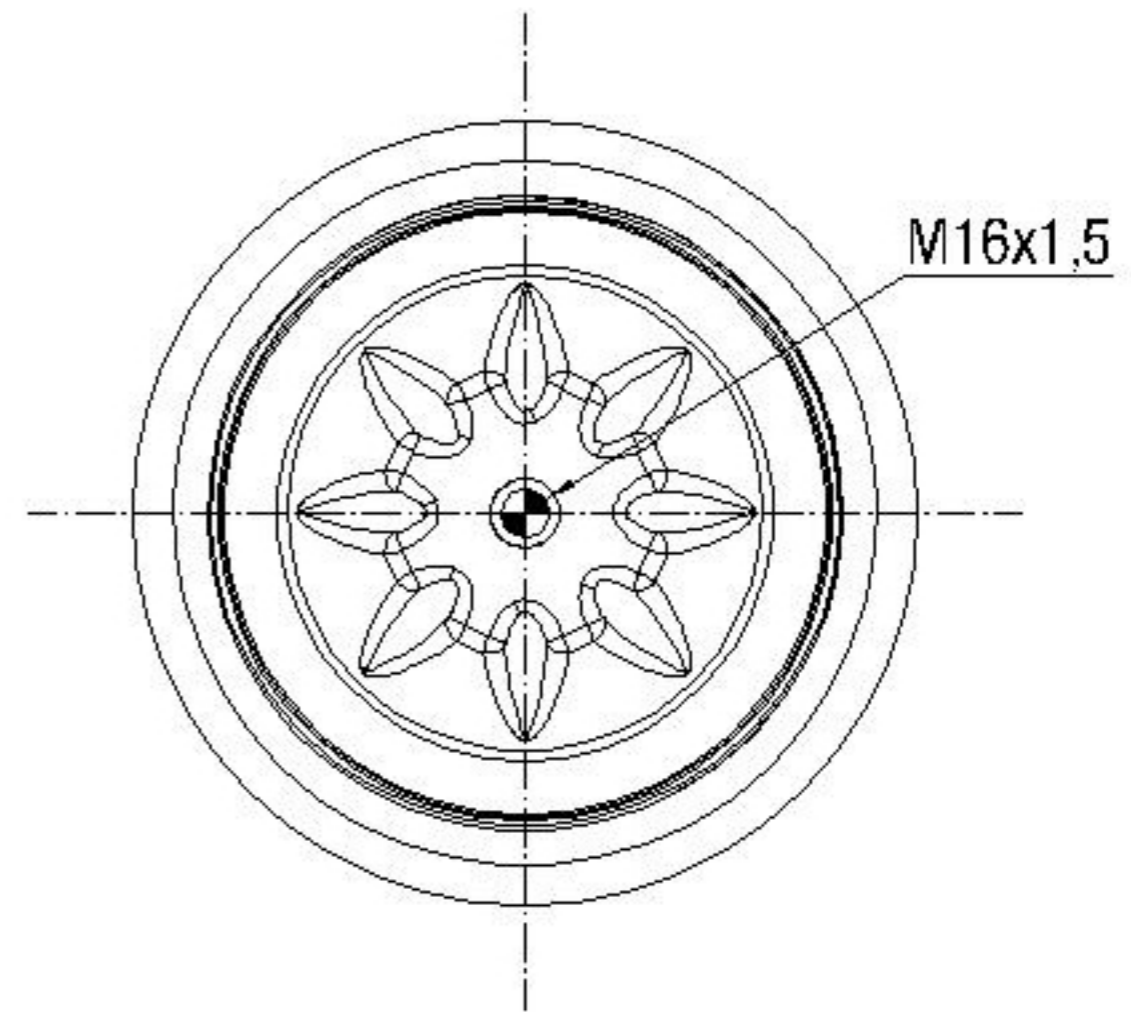


TOP VIEW



BOTTOM VIEW



Drawings are prepared for catalogue study.

↑						
	Changes	0	First drawing	03.08.2018		
Issue		Changes	Date	Drawn by	Checked by	Approved by
PART WEIGHT:	Do not scale this drawing	● Bolt stud	⊗ Combo stud	⊗ Air inlet	◐ Threaded hole	
...Kg.	<small>All rights in this document are the property of AKTAŞ. Information used except reproduced here is available to any third party without our written permission. B.03.22</small>				ORDER NO: 132471	
PART NAME:	34644 K COMPLETE (AKTAŞ)				